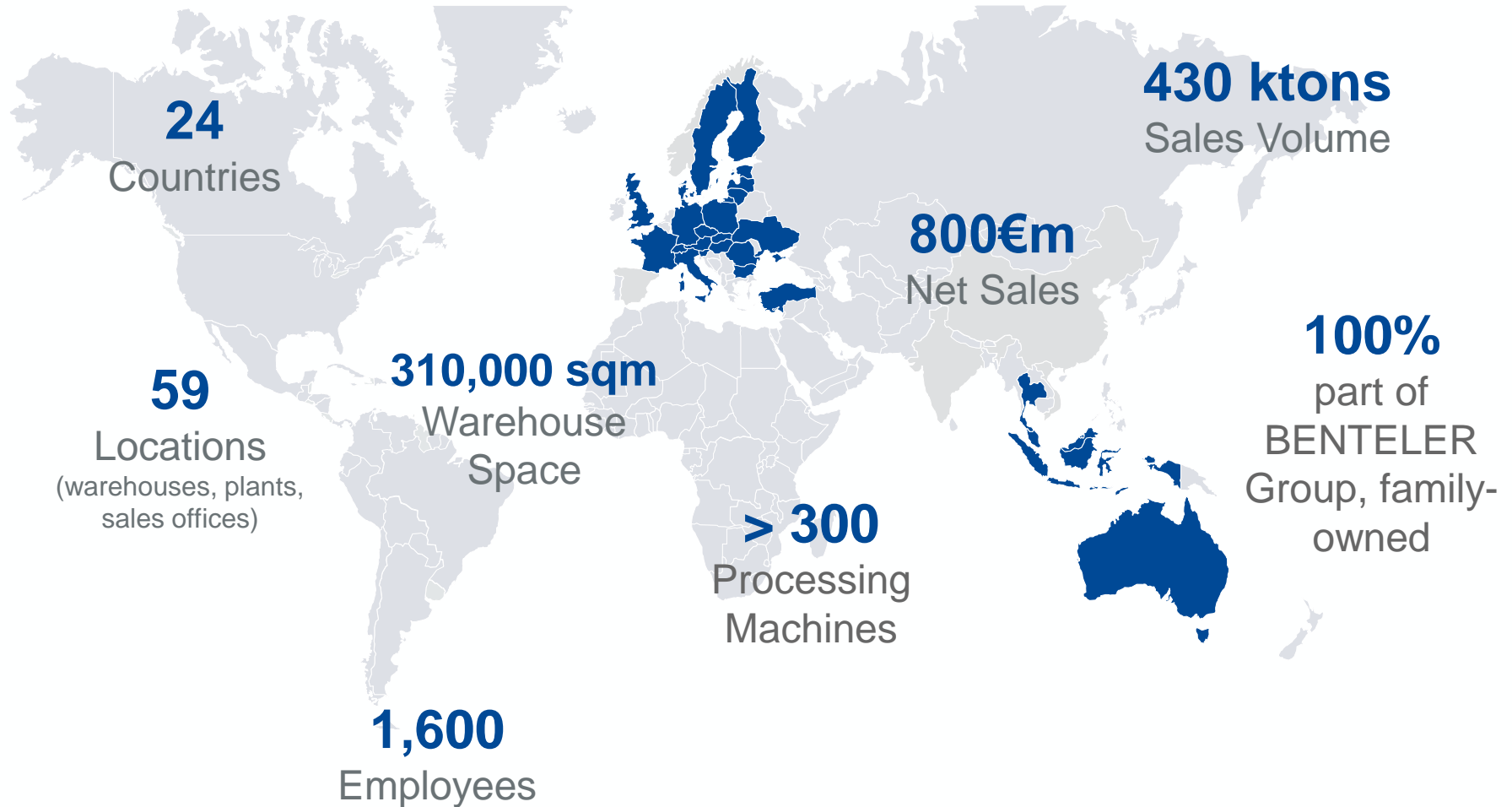


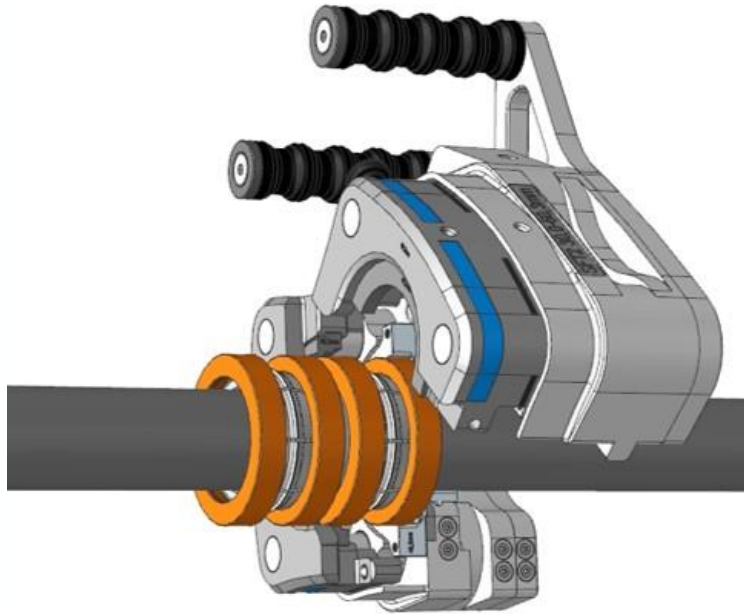
# SOLUTIONS THAT MAKE THE DIFFERENCE

# BENTELER DISTRIBUTION – THE COMPETENCE IN TUBES

Easy, fast and reliable access to tubes & fittings as well as technical and logistics services



# BENTELER PREFIS – AN INNOVATIVE STEEL TUBE CONNECTION, PRESSED IN SECONDS



- **Metallically sealing steel tube connections** – no welding required
- Easy and **fast installation** via a **press tool** and a **hydraulic pump**
- Seamless and welded **carbon** and **stainless** steel tubes
- Suitable for **critical applications**, such as advanced firefighting systems (high pressure water mist or CO<sub>2</sub>) and potentially explosive atmospheres (ex zone) or highly inflammable environments, e.g. oil rigs

# FITTINGS IN NEARLY EVERY FORM AND SIZE AS WELL AS CUSTOMIZED SOLUTIONS



- 1 Straight coupling
- 2 Distribution block
- 3 Reducing coupling
- 4 Equal tee and reducing tee
- 5 End plug
- 6 Parallel female stud coupling
- 7 Male stud coupling
- 8 Distribution block with blind end
- 9 Flange adapter
- 10 Weldable bulkhead coupling
- 11 Elbow

**> 950**  
**types of**  
**fittings**

# BENTELER PREFIS IS A STRONG SOLUTION SUITABLE FOR CRITICAL APPLICATIONS

