

Rigless Well Abandonment with Bismuth and Thermite



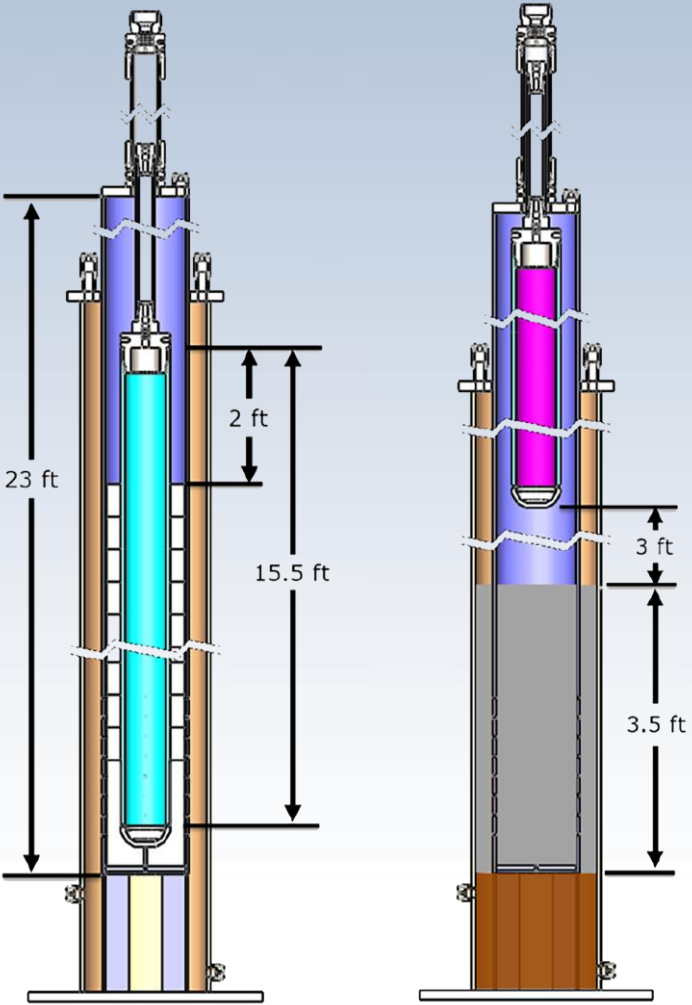
M2M Sealing Solutions

Field Proven



M2M Sealing Solutions

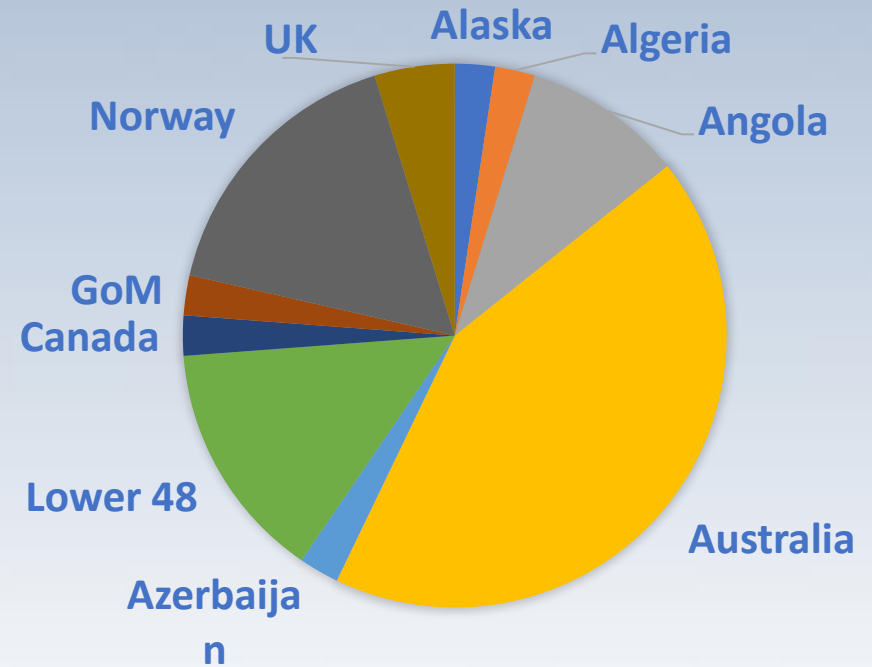
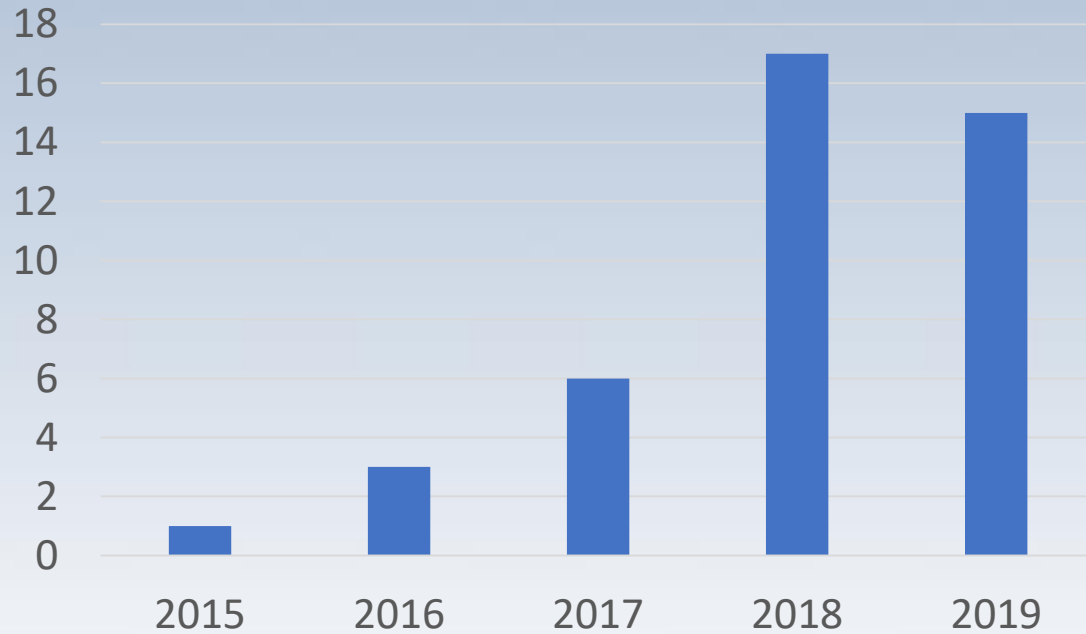
Heater Extraction



M2M Sealing Solutions



Field Deployments



Total Deployments: 42

Geo-markets: 10

Total P&A: 32

Thank You / Questions



M2M Sealing Solutions